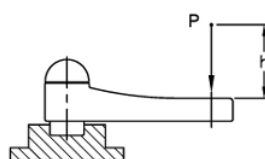
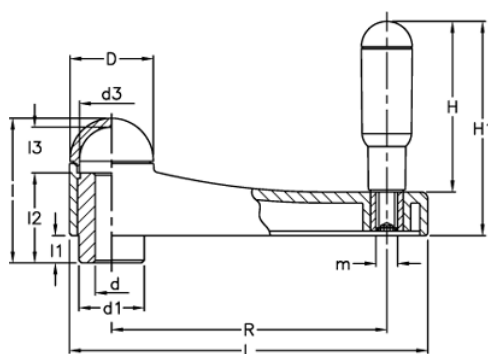


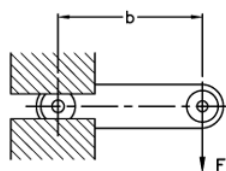
Article number: 23052102511

Description: E+G Crank handle  
EKH.125-A14-C1, black cap

## Measures



$$L[J] = P[N] \cdot h[m]$$



$$C[N \cdot m] = F[N] \cdot b[m]$$

C (N m) = 350	L = 161.5
d = 35.0	L (J) = 45
d1 = 28	l1 = 14
d3 = 26.5	l2 = 40
d H7 = 14	l3 = 18
H = 86	m = M8
H1 = 104.5	R = 126
l = 62.0	